

# HYDOREX UPVC



## HIGH FLOW CARTRIDGE FILTER HOUSING

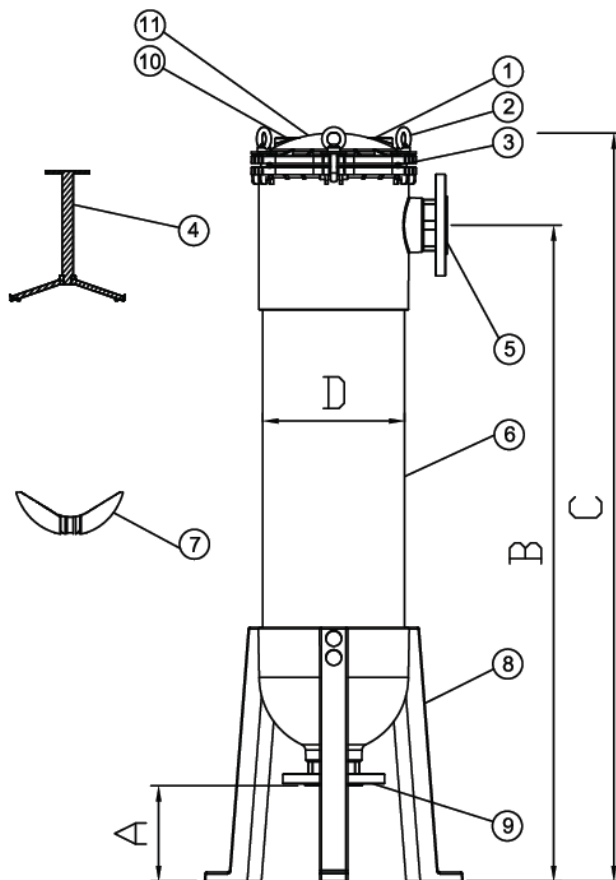


### SPECIFICATION

Material	: UPVC
Finishing	: Smooth Finish
Inlet / Outlet	: 2" ANSI Flange
Vent	: 1/4" NPT (F)
Pressure Guage Port	: 1/4" NPT (F)

Dimension (mm)

MODEL	CARTRIDGE SIZE	A	B	C	D	MAX. FLOW RATE
HFHU 1 SB	152mm x 20"L	175	905	1070	Ø225	40 m <sup>3</sup> /hr
HFHU 2 SB	152mm x 40"L	175	1395	1560	Ø225	80 m <sup>3</sup> /hr



### PARTS LIST

No	Description	Qty.
1	Vent	1
2	Swing Bolt & Nut	6
3	O-ring	1
4	Cartridge Press	1
5	Inlet	1
6	Body	1
7	Cartridge Support Plate	1
8	Leg	3
9	Outlet	1
10	Pressure Guage Port	1
11	Top Lid	1

Design pressure : 100 psi  
 Max. Operating pressure : 75 psi  
 Design temperature : 45 Degree Celcius