

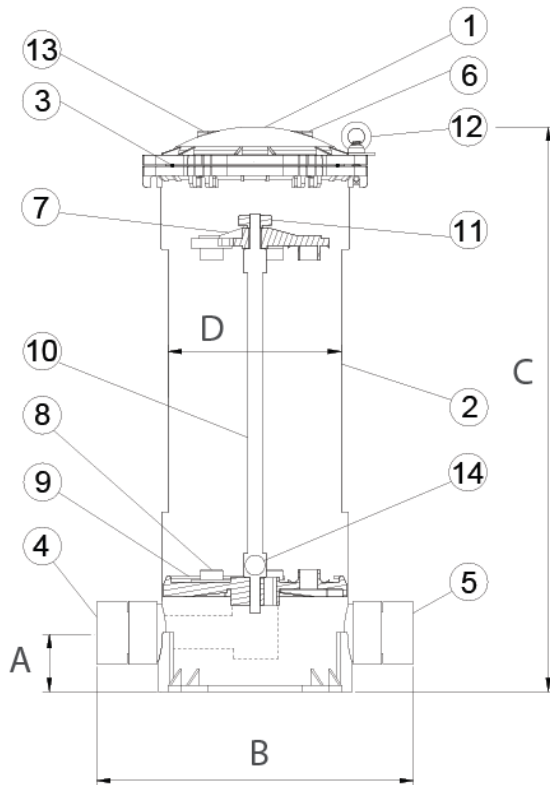


### SPECIFICATION

Material	: UPVC
Finishing	: Smooth Finish
Inlet / Outlet	: 3" BSP(F)
Vent	: 1/4" NPT (F)
Pressure Guage Port	: 1/4" NPT (F)
Drain	: 1/2" BSP (M)

Dimension (mm)

MODEL	CARTRIDGES	A	B	C	D	MAX. FLOW RATE
CFHU 9 - SB	9 ROUND 10"	69	510	495	315	9 m <sup>3</sup> /hr
CFHU 18 - SB	9 ROUND 20"	69	510	745	315	18 m <sup>3</sup> /hr
CFHU 27 - SB	9 ROUND 30"	69	510	995	315	27 m <sup>3</sup> /hr
CFHU 36 - SB	9 ROUND 40"	69	510	1245	315	36 m <sup>3</sup> /hr



### PARTS LIST

No	Description	Qty.
1	Top Lid	1
2	Body	1
3	O-ring	1
4	Inlet	1
5	Outlet	1
6	Vent	1
7	Cartridge Press Plate	1
8	Cartridge Position Cup	9
9	Cartridge Support Plate	1
10	Thread Rod	3
11	Press Nut	1
12	Swing Bolt & Nut	12
13	Pressure Guage Port	1
14	Drain	1

Design pressure : 100 psi  
 Max. Operating pressure : 75 psi  
 Design temperature : 45 Degree Celcius