



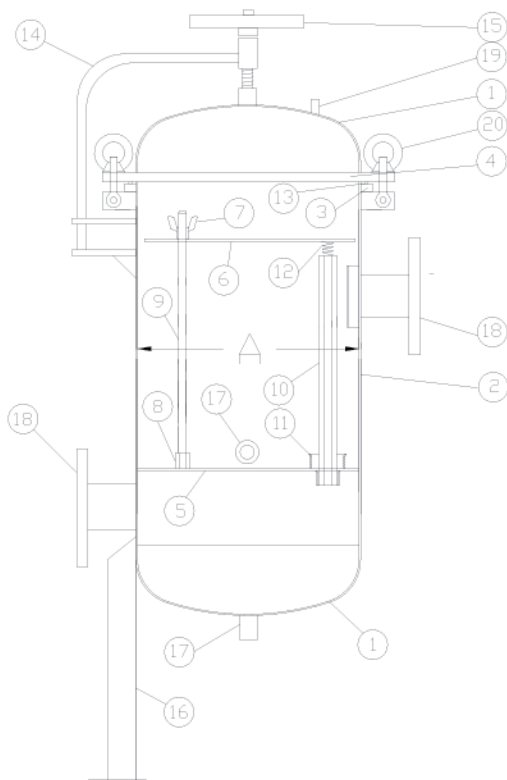
SPECIFICATION

Material : 304 SS, 316L SS
 Finishing : Mirror Polished, Sand Blast
 Inlet / Outlet : 2" to 8" Flange or bigger
 Vent : 1/4" NPT (F), 3/4" (F)

Maximum pressure : 150 psi
 Maximum temperature : 50 to 160 Degree Celcius
 (Silicon or VITON O-rings)



MODEL	NO. OF CARTRIDGES	CARTRIDGE LENGTH	IN/OUTLET
CFH-32-SB4 To CFH-48-SB4	8 ~ 12	40"	2" ~ 4"
CFH-52-SB4 To CFH-60-SB4	13 ~ 15	40"	2" ~ 4"
CFH-64-SB4 To CFH-76-SB4	16 ~ 19	40"	2" ~ 4"
CFH-80-SB4 To CFH-108-SB4	20 ~ 27	40"	2" ~ 4"
CFH-112-SB4 To CFH-120-SB4	28 ~ 30	40"	2" ~ 4"
CFH-124-SB4 To CFH-144-SB4	31 ~ 36	40"	2" ~ 4"
CFH-148-SB4 To CFH-160-SB4	37 ~ 40	40"	2" ~ 4"
CFH-164-SB4 To CFH-200-SB4	41 ~ 50	40"	4" ~ 6"
CFH-204-SB4 To CFH-240-SB4	51 ~ 60	40"	4" ~ 6"
CFH-244-SB4 To CFH-300-SB4	61 ~ 75	40"	4" ~ 6"
CFH-304-SB4 To CFH-340-SB4	76 ~ 85	40"	4" ~ 6"
CFH-344-SB4 To CFH-400-SB4	86 ~ 100	40"	4" ~ 6"
CFH-404-SB4 To CFH-480-SB4	101 ~ 120	40"	6" ~ 8"
CFH-484-SB4 To CFH-560-SB4	121 ~ 140	40"	6" ~ 8"
CFH-564-SB4 To CFH-640-SB4	141 ~ 160	40"	6" ~ 8"



PARTS LIST

No.	Description
1	Lid (top and bottom)
2	Body
3	O-Ring Brim
4	Top Lid Brim
5	Cartridge Support Plate
6	Press Plate
7	Press Nut
8	Fixed Nut
9	Thread Rod
10	Cartridge Position Bar
11	Cartridge Position Cup
12	Press Spring
13	O-Ring
14	Davit
15	Wheel Handle
16	Housing Leg
17	Drain
18	In / Outlet
19	Vent
20	Swing Bolt & Nut