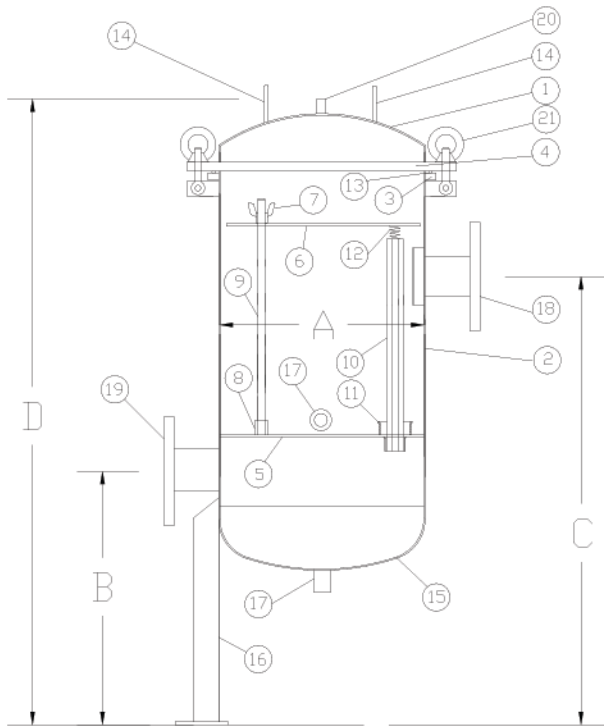




SPECIFICATION

Material	: 304 SS, 316L SS
Finishing	: Mirror Polish, Sand Blast
Inlet / Outlet	: 2" NPT (F), 2" Flange
Vent	: 1/4" NPT (F)
Drain	: 1/2" NPT (F)

MODEL	CARTRIDGES	Dimension (mm)			
		A	B	C	D
CFH 5 - SB	5 ROUND 10"	219	232	366	686
CFH 10 - SB	5 ROUND 20"	219	232	376	848
CFH 15 - SB	5 ROUND 30"	219	232	476	1296
CFH 20 - SB	5 ROUND 40"	219	232	506	1516



Design pressure : 185 psi
 Max. Operating pressure : 150 psi
 Design temperature : 50 to 200 Degree Celcius

PARTS LIST

No	Description	Qty.
1	Top Lid	1
2	Body	1
3	O-ring Brim	1
4	Top Lid Brim	1
5	Cartridge Support Plate	1
6	Press Plate	1
7	Press Nut	1
8	Fixed nut	1
9	Thread Rod	1
10	Cartridge position bar	5
11	Cartridge position cup	5
12	Press spring	5
13	O-ring	1
14	Handle	2
15	Bottom Lid	1
16	Leg	4
17	Drain	2
18	Intlet	1
19	Outlet	1
20	Vent	1
21	Swing Bolt & Nut	4