



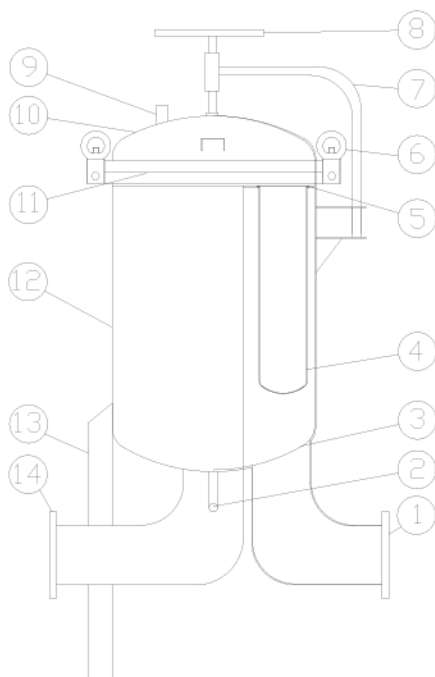
SPECIFICATION

Material : 304 SS, 316L SS
 Finishing : Mirror Polish, Sand Blast
 Inlet / Outlet : 2" to 18" Flange

Design pressure : 185 psi
 Max. Operating pressure : 150 psi
 Design temperature : 50 to 200 Degree Celcius



MODEL	BAGS IN/OUTLET (M ³ /HR)		
BFH-4-SB2	2	2", 3"	90
BFH-6-SB2	3	3", 4"	135
BFH-8-SB2	4	3", 4"	180
BFH-10-SB2	5	4", 5"	225
BFH-12-SB2	6	4", 5"	270
BFH-14-SB2	7	5", 6"	315
BFH-16-SB2	8	5", 6"	360
BFH-18-SB2	9	6", 8"	405
BFH-20-SB2	10	6", 8"	450
BFH-22-SB2	11	6", 8"	495
BFH-24-SB2	12	8", 10"	540
BFH-26-SB2	13	8", 10"	585
BFH-28-SB2	14	8", 10"	630
BFH-30-SB2	15	8", 10"	675
BFH-32-SB2	16	10", 12"	720
BFH-34-SB2	17	10", 12"	765
BFH-36-SB2	18	10", 12"	810
BFH-38-SB2	19	12", 14"	855
BFH-40-SB2	20	12", 14"	900
BFH-42-SB2	21	14", 16"	945
BFH-44-SB2	22	14", 16"	990
BFH-46-SB2	23	16", 18"	1035
BFH-48-SB2	24	16", 18"	1080



PARTS LIST	
No.	Description
1	Inlet
2	Drain
3	Bottom Lid
4	Strainer
5	Bag Support Plate
6	Swing Bolt & Nut
7	Davit
8	Wheel Handle
9	Vent
10	Top Lid
11	O-ring
12	Body
13	Leg
14	Outlet